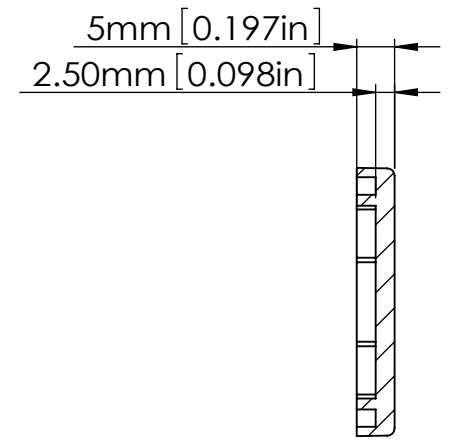
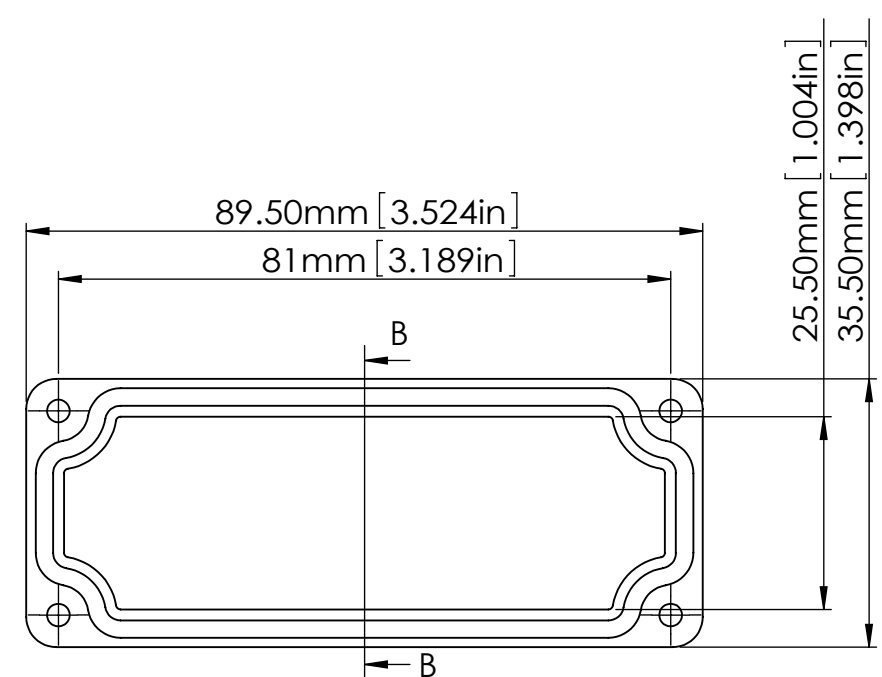
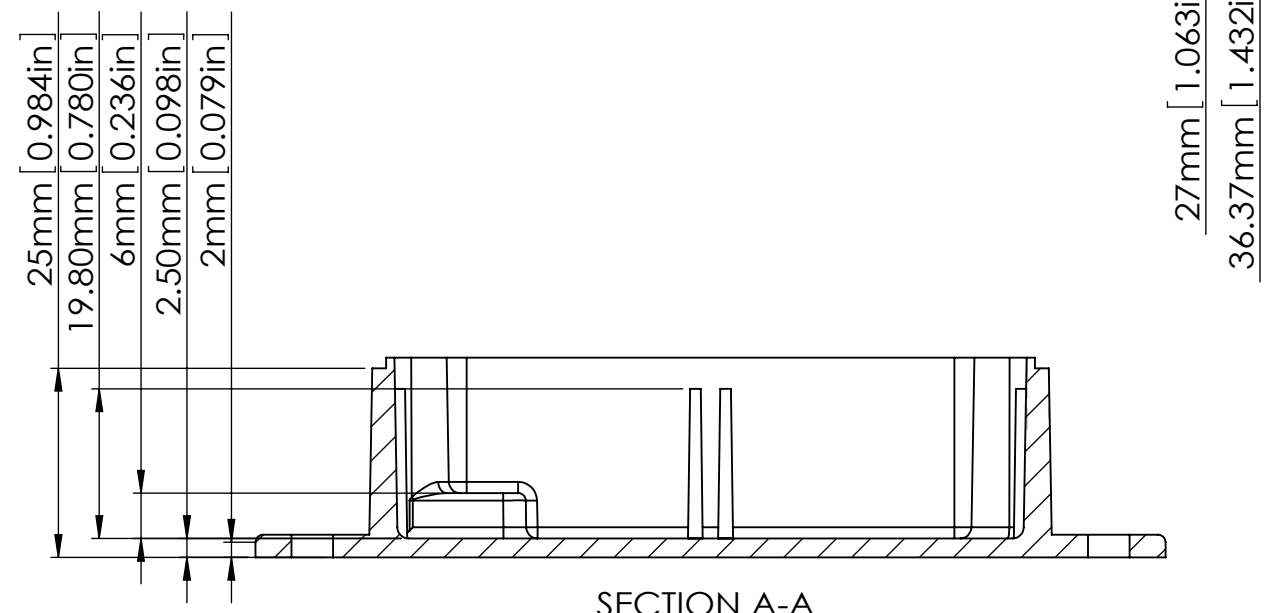
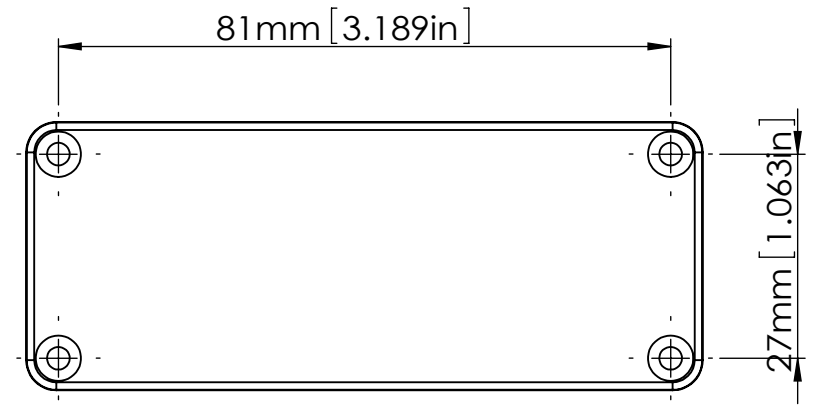
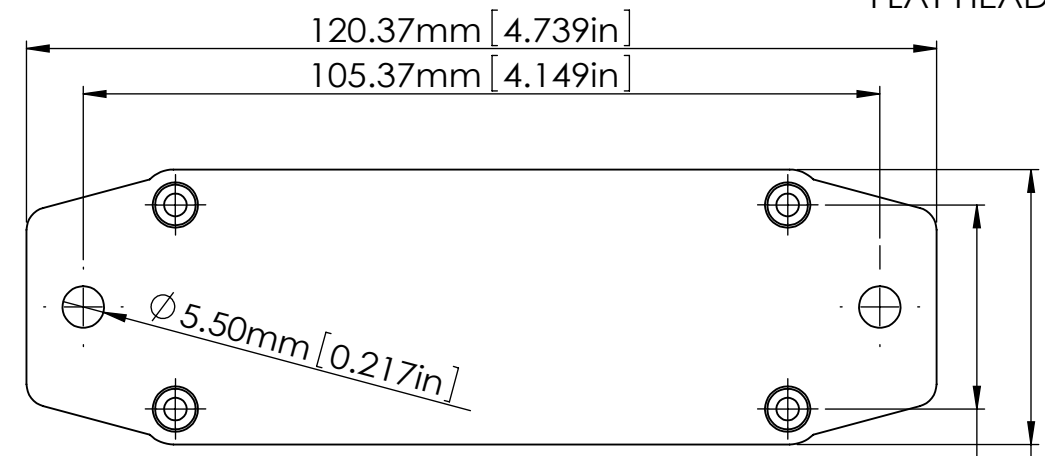


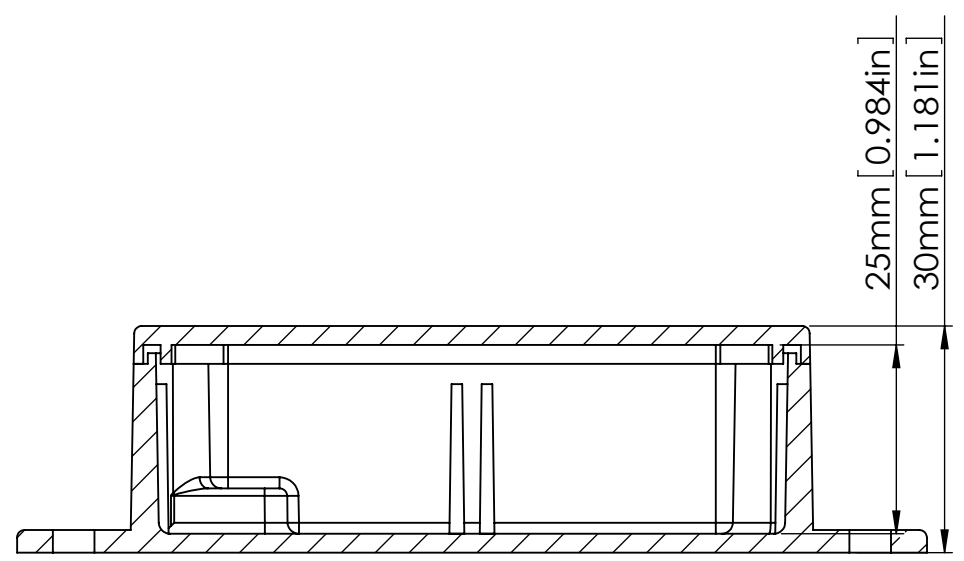
FOUR (4) M3X12mm
FLAT HEAD SCREWS



SECTION B-B
SCALE 1 : 1

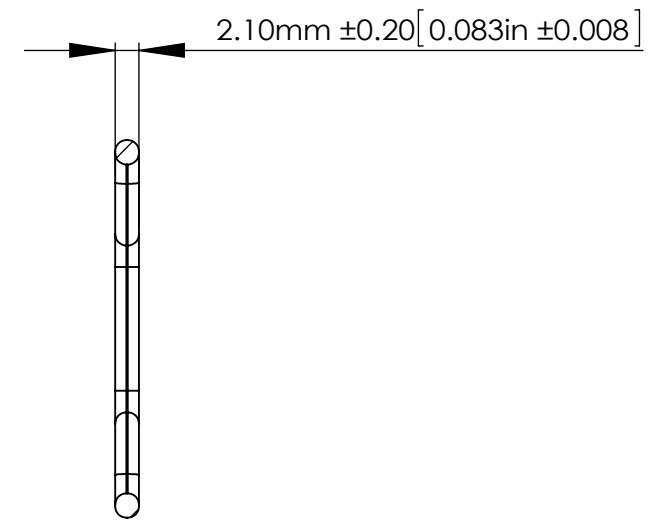
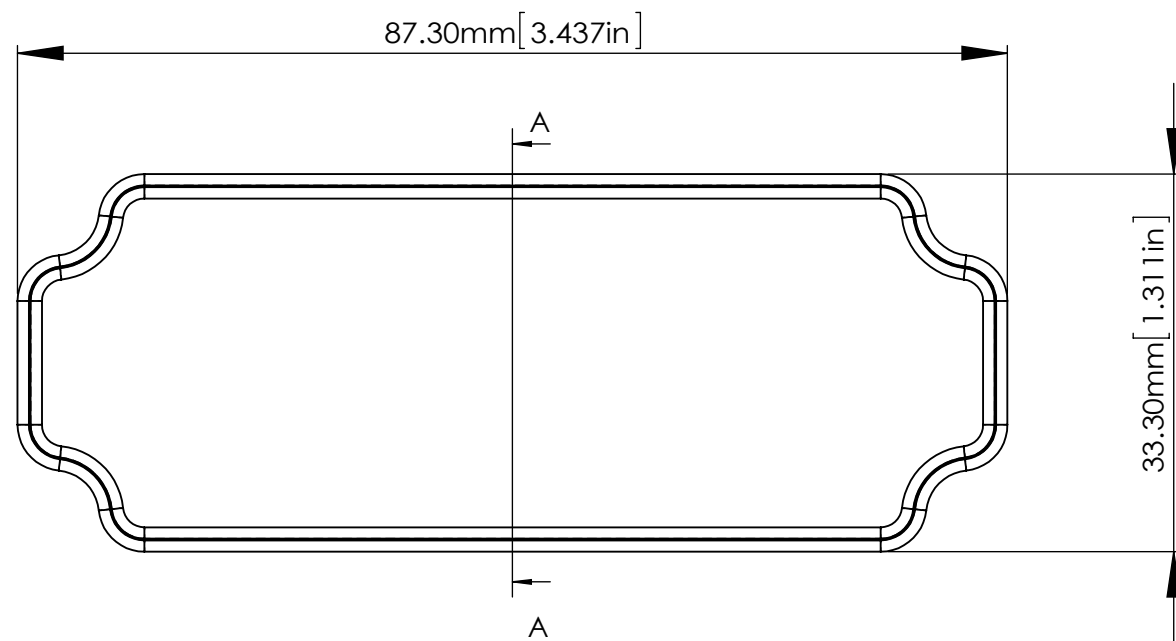


SECTION A-A
SCALE 1 : 1



According to ISO 2768-m	
Measuring DIM=L	Tolerances
0.5<L<=3.0mm	±0.1mm
3.0<L<=6.0 mm	±0.1mm
6.0<L<=30.0 mm	±0.2mm
30.0<L<=120.0 mm	±0.3mm
120.0<L<=400.0 mm	±0.5mm
400.0<L<=1000.0 mm	±0.8mm

宣又實業有限公司 GAINTA INDUSTRIES LTD.	繪圖	DRA'D BY	日期	DATE	材質	MATE.	圖名TITLE:	圖號DWG NO:	版次REVISID:
		JACKY		2024/01/03	ALUMINIUM ALLOY ADC-12		G102MF-IP67		B



SECTION A-A
SCALE 1.5 : 1

According to ISO 2768-m	
Measuring DIM=L	Tolerances
0.5<L<=3.0mm	±0.1mm
3.0<L<=6.0 mm	±0.1mm
6.0<L<=30.0 mm	±0.2mm
30.0<L<=120.0 mm	±0.3mm
120.0<L<=400.0 mm	±0.5mm
400.0<L<=1000.0 mm	±0.8mm

宣又實業有限公司
GAINTA INDUSTRIES LTD.

繪圖

DRA'D BY

JACKY

日期

DATE

2023/12/01

材質

MATE.

EPDM

圖名TITLE:

G102SEAL

圖號DWG NO:

版次REVISID:

B