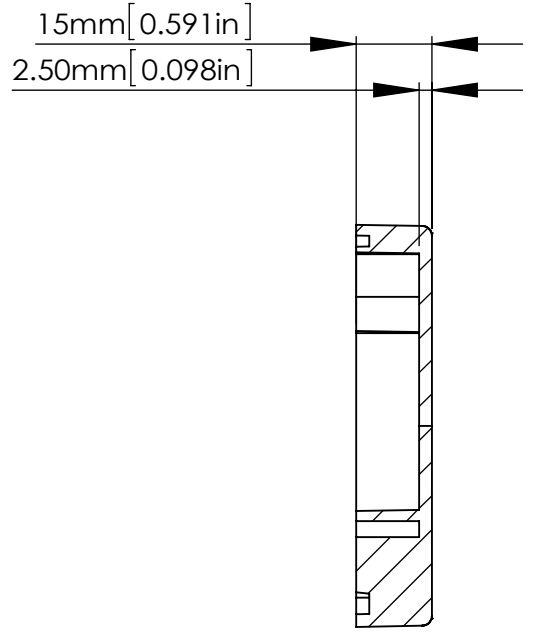
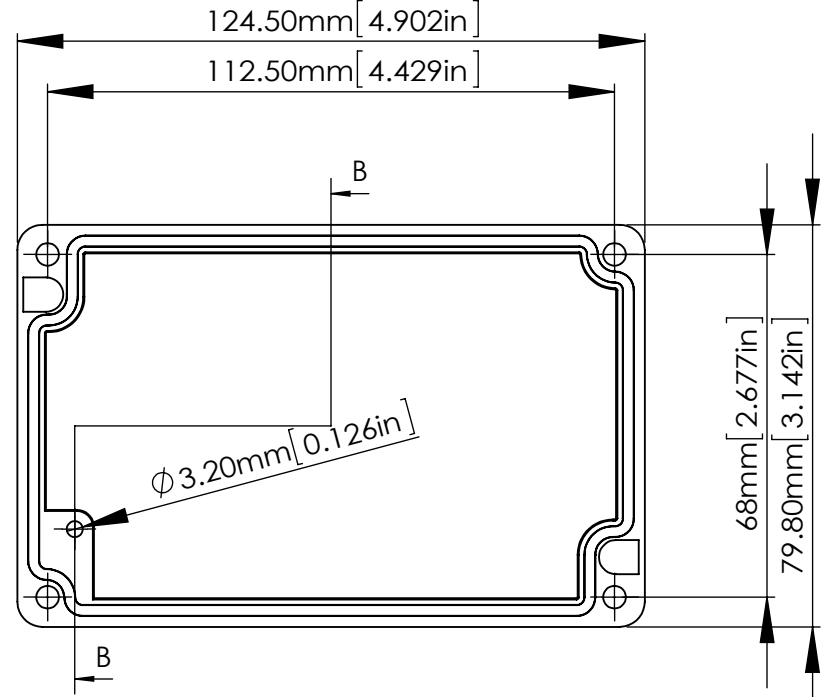
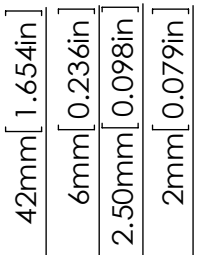
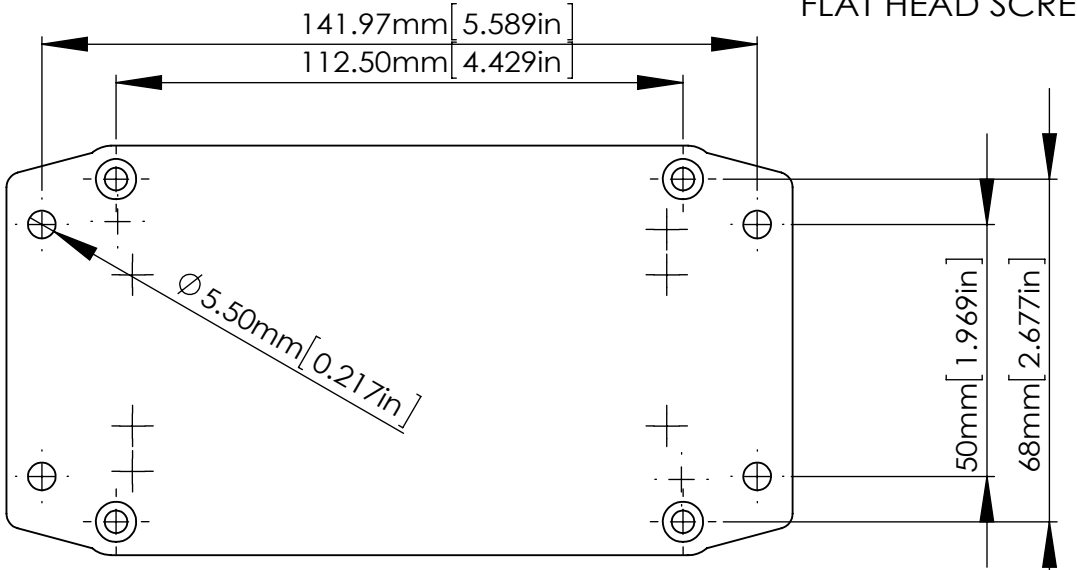


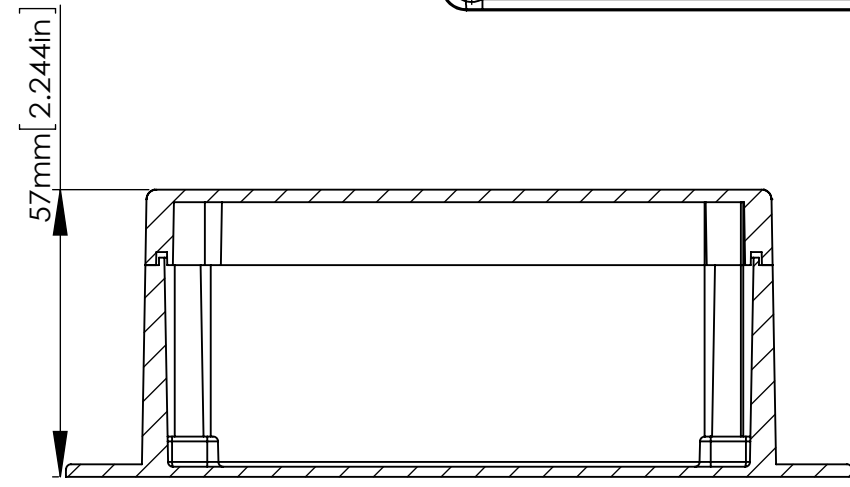
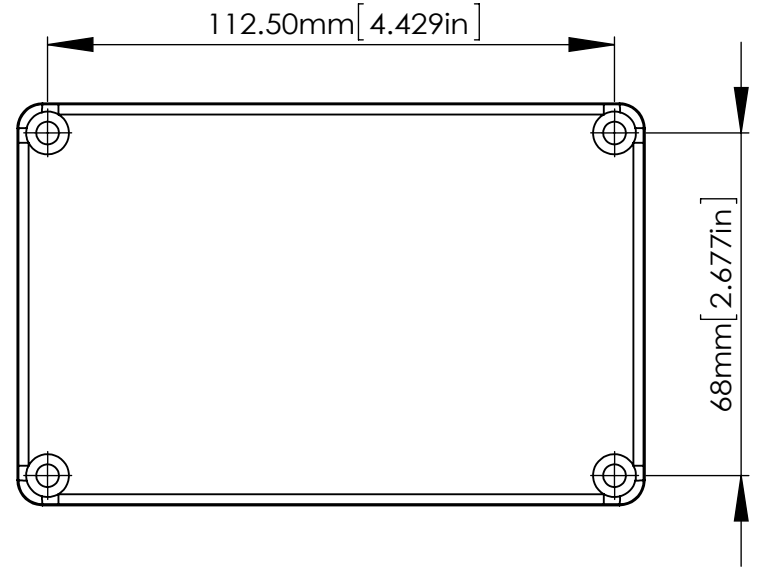
FOUR (4) M4X20mm
FLAT HEAD SCREWS



SECTION B-B
SCALE 2 : 3



SECTION A-A
SCALE 2 : 3



According to ISO 2768-m	
Measuring DIM=L	Tolerances
0.5<L<=3.0mm	±0.1mm
3.0<L<=6.0 mm	±0.1mm
6.0<L<=30.0 mm	±0.2mm
30.0<L<=120.0 mm	±0.3mm
120.0<L<=400.0 mm	±0.5mm
400.0<L<=1000.0 mm	±0.8mm

宣又實業有限公司
GAINTA INDUSTRIES LTD.

繪圖 DRA'D BY
JACKY

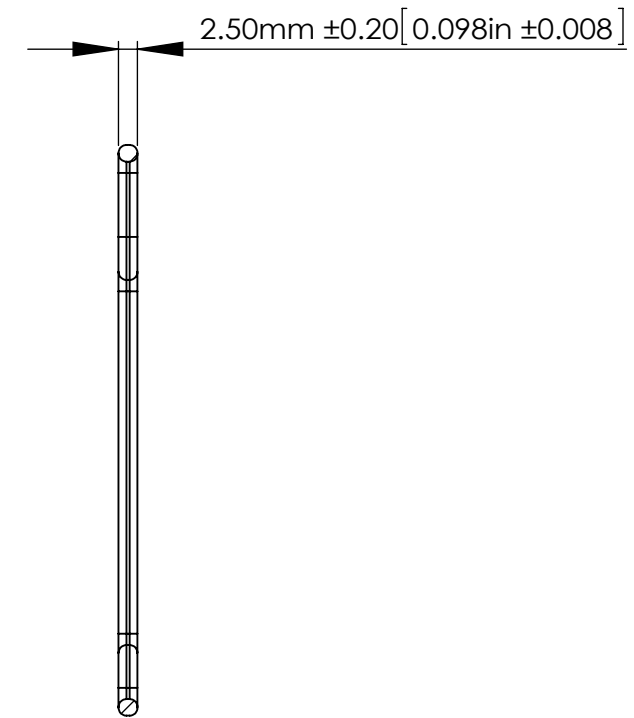
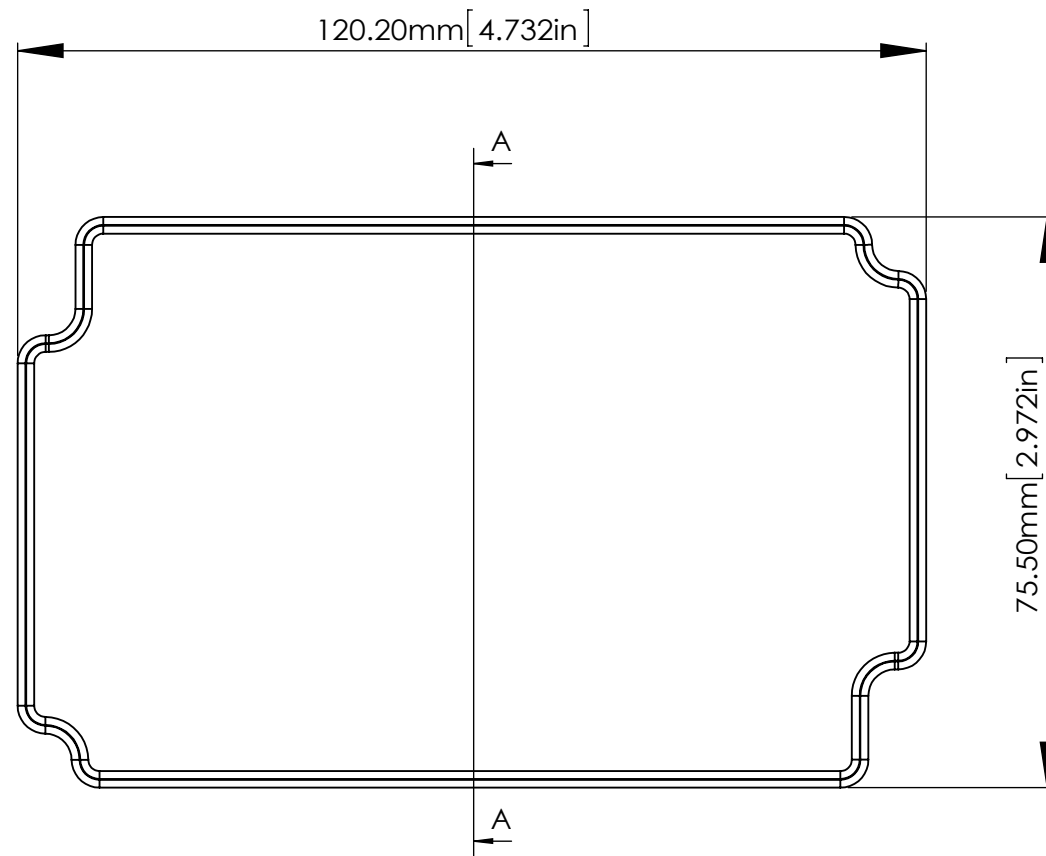
日期 DATE
2024/01/03

材質 MATE.
ALUMINIUM ALOOY ADC-12

圖名TITLE:
G108MF-IP67

圖號DWG NO:

版次REVISID:
B



SECTION A-A
SCALE 1 : 1

According to ISO 2768-m	
Measuring DIM=L	Tolerances
0.5<L≤3.0mm	±0.1mm
3.0<L≤6.0 mm	±0.1mm
6.0<L≤30.0 mm	±0.2mm
30.0<L≤120.0 mm	±0.3mm
120.0<L≤400.0 mm	±0.5mm
400.0<L≤1000.0 mm	±0.8mm

宣又實業有限公司
GAINTA INDUSTRIES LTD.

繪圖

DRA'D BY
JACKY

日期

DATE

2023/12/01

材質

MATE.

EPDM

圖名TITLE:

G107SEAL/G108SEAL

圖號DWG NO:

版次REVISED:

B