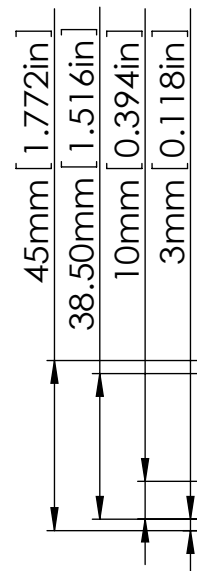
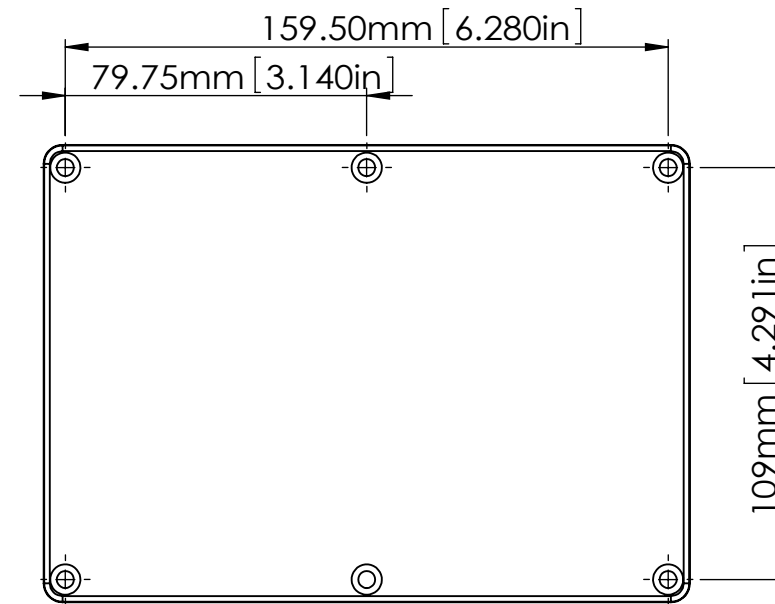
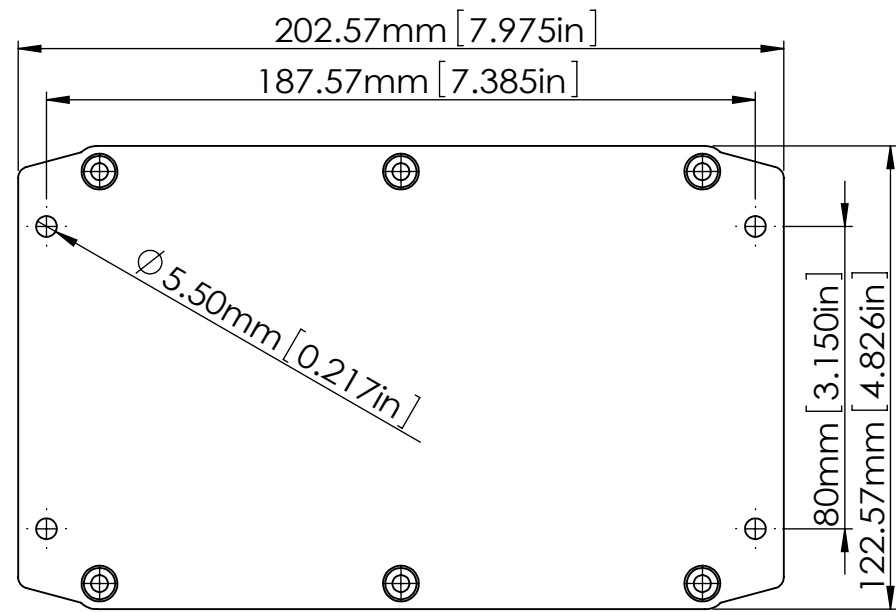
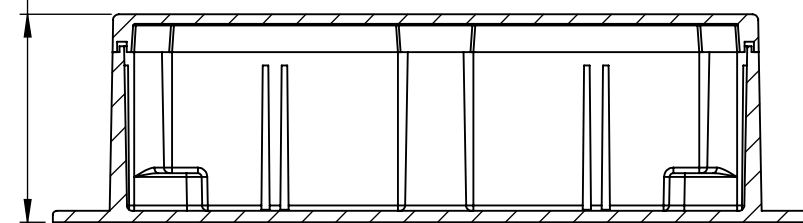


SECTION B-B



SECTION A-A



| According to ISO 2768-m | |
|-------------------------|------------|
| Measuring DIM=L | Tolerances |
| 0.5<L≤3.0mm | ±0.1mm |
| 3.0<L≤6.0 mm | ±0.1mm |
| 6.0<L≤30.0 mm | ±0.2mm |
| 30.0<L≤120.0 mm | ±0.3mm |
| 120.0<L≤400.0 mm | ±0.5mm |
| 400.0<L≤1000.0 mm | ±0.8mm |

宣又實業有限公司
GAINTA INDUSTRIES LTD.

繪圖 DRA'D BY
JACKY

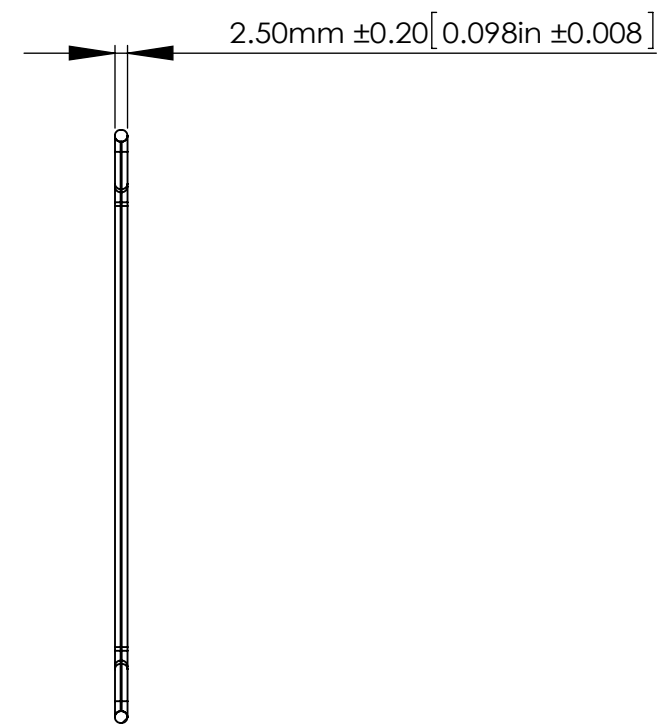
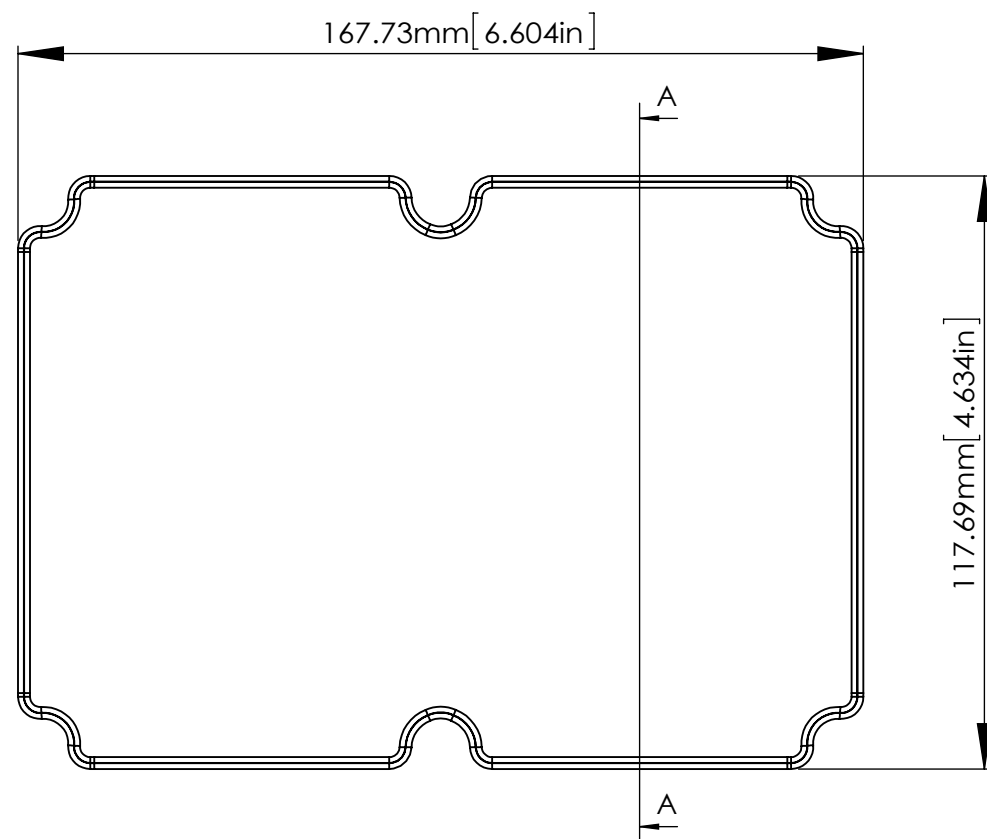
日期 DATE
2024/01/03

材質 MATE.
ALUMINIUM ALLOY ADC-12

圖名TITLE:
G120MF-IP67

圖號DWG NO:

版次REVISID:
B



SECTION A-A
SCALE 2 : 3

| According to ISO 2768-m | |
|-------------------------|------------|
| Measuring DIM=L | Tolerances |
| 0.5<L<=3.0mm | ±0.1mm |
| 3.0<L<=6.0 mm | ±0.1mm |
| 6.0<L<=30.0 mm | ±0.2mm |
| 30.0<L<=120.0 mm | ±0.3mm |
| 120.0<L<=400.0 mm | ±0.5mm |
| 400.0<L<=1000.0 mm | ±0.8mm |

宣又實業有限公司
GAINTA INDUSTRIES LTD.

繪圖

DRA'D BY
JACKY

日期

DATE

2023/12/01

材質

MATE.

EPDM

圖名TITLE:

G120SEAL

圖號DWG NO:

版次REVISED:

B