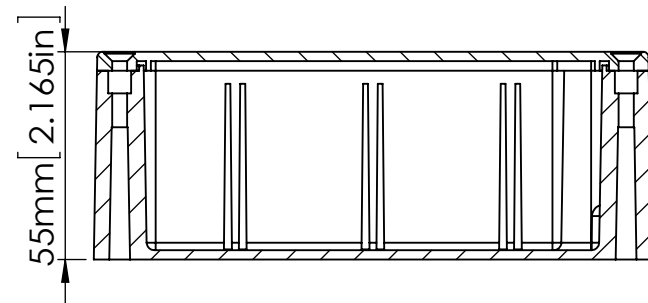
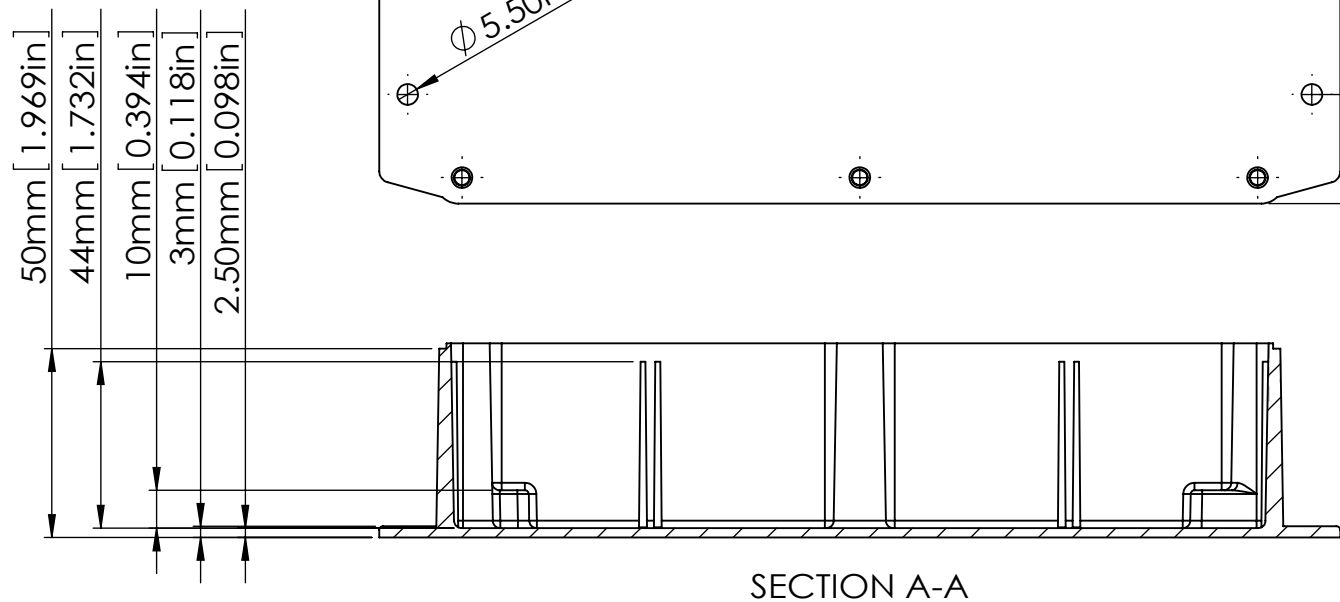
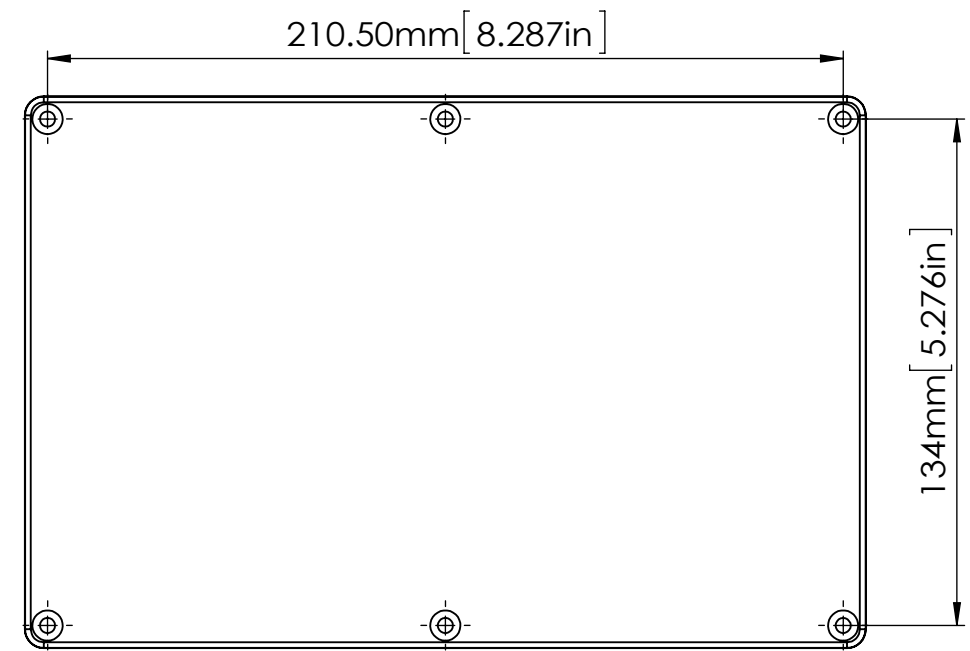
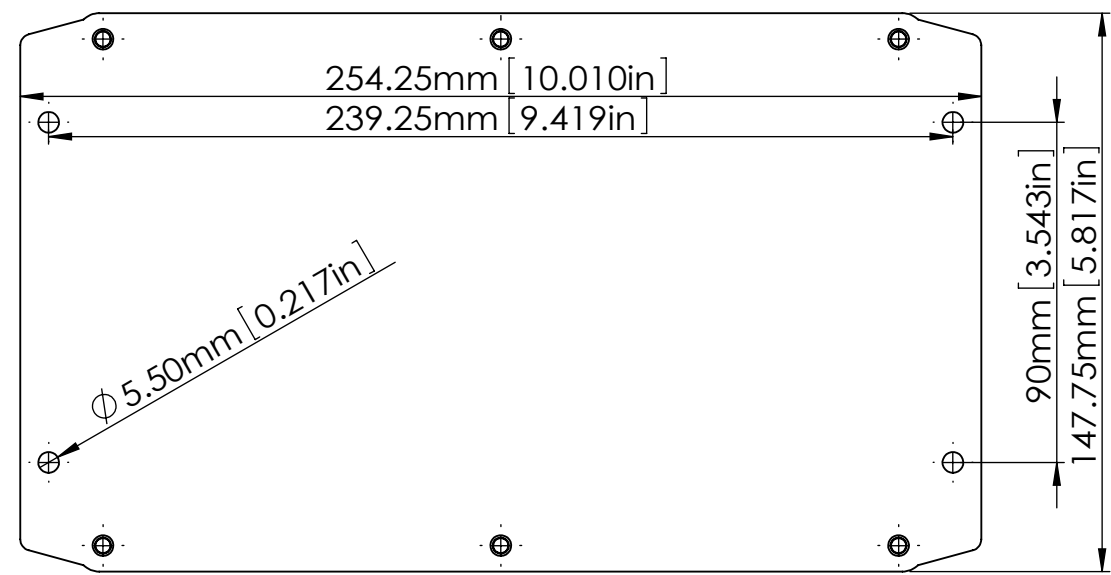


SIX (6) M4X20 mm
 FLAT HEAD SCREWS



According to ISO 2768-m	
Measuring DIM=L	Tolerances
0.5<L<=3.0mm	±0.1mm
3.0<L<=6.0 mm	±0.1mm
6.0<L<=30.0 mm	±0.2mm
30.0<L<=120.0 mm	±0.3mm
120.0<L<=400.0 mm	±0.5mm
400.0<L<=1000.0 mm	±0.8mm

宣又實業有限公司
 GAINTA INDUSTRIES LTD.

繪圖 DRA'D BY
 JACKY

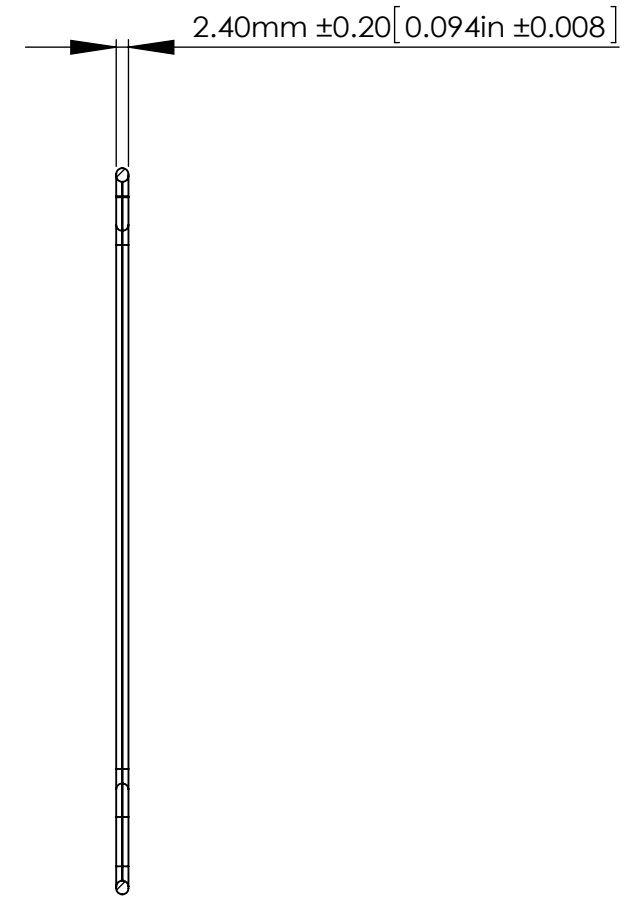
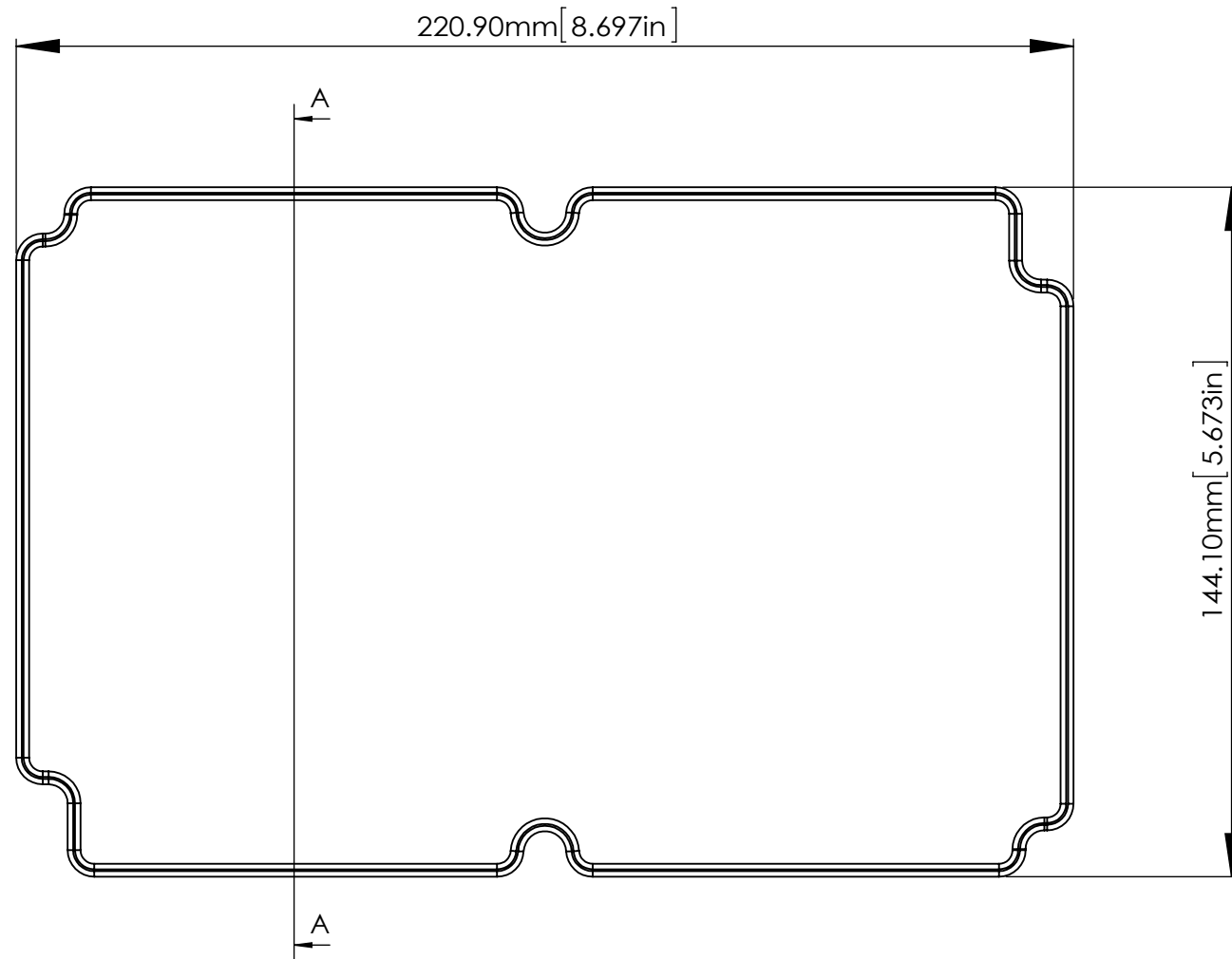
日期 DATE
 2024/01/03

材質 MATE.
 ALUMINIUM ALLOY ADC-12

圖名TITLE:
 G124MF-IP67

圖號DWG NO:

版次REVISID:
 B



SECTION A-A
SCALE 2 : 3

According to ISO 2768-m	
Measuring DIM=L	Tolerances
0.5<L<=3.0mm	±0.1mm
3.0<L<=6.0 mm	±0.1mm
6.0<L<=30.0 mm	±0.2mm
30.0<L<=120.0 mm	±0.3mm
120.0<L<=400.0 mm	±0.5mm
400.0<L<=1000.0 mm	±0.8mm

宣又實業有限公司
GAINTA INDUSTRIES LTD.

繪圖

DRA'D BY
JACKY

日期

2023/12/01

DATE

材質

EPDM

MATE.

圖名TITLE:

G124SEAL/G125SEAL

圖號DWG NO:

版次REVISED:

B