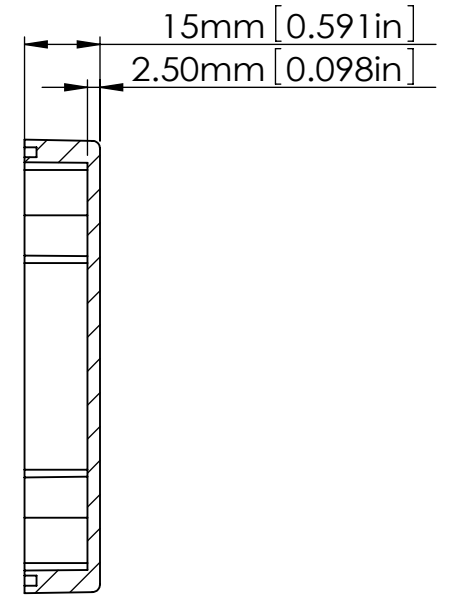
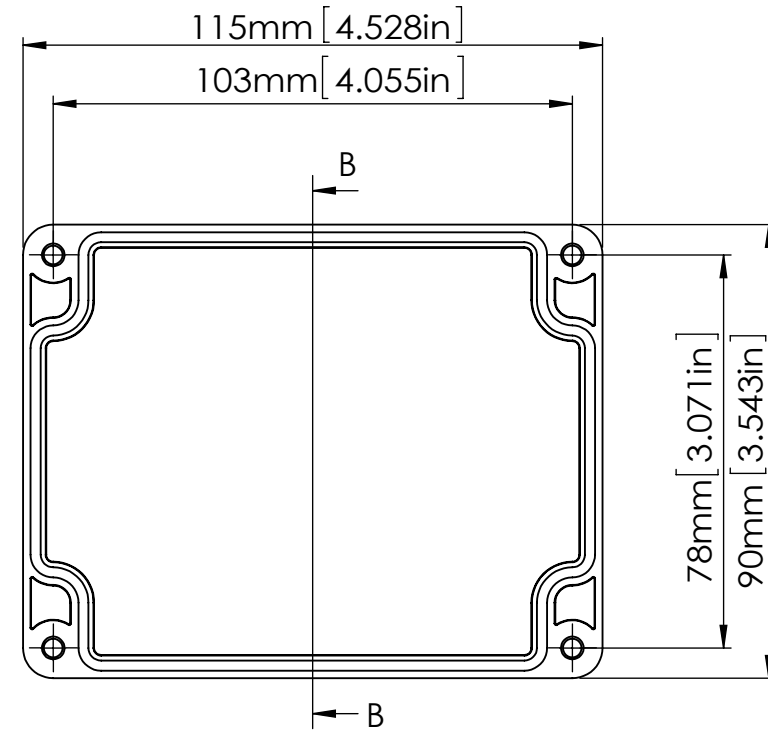
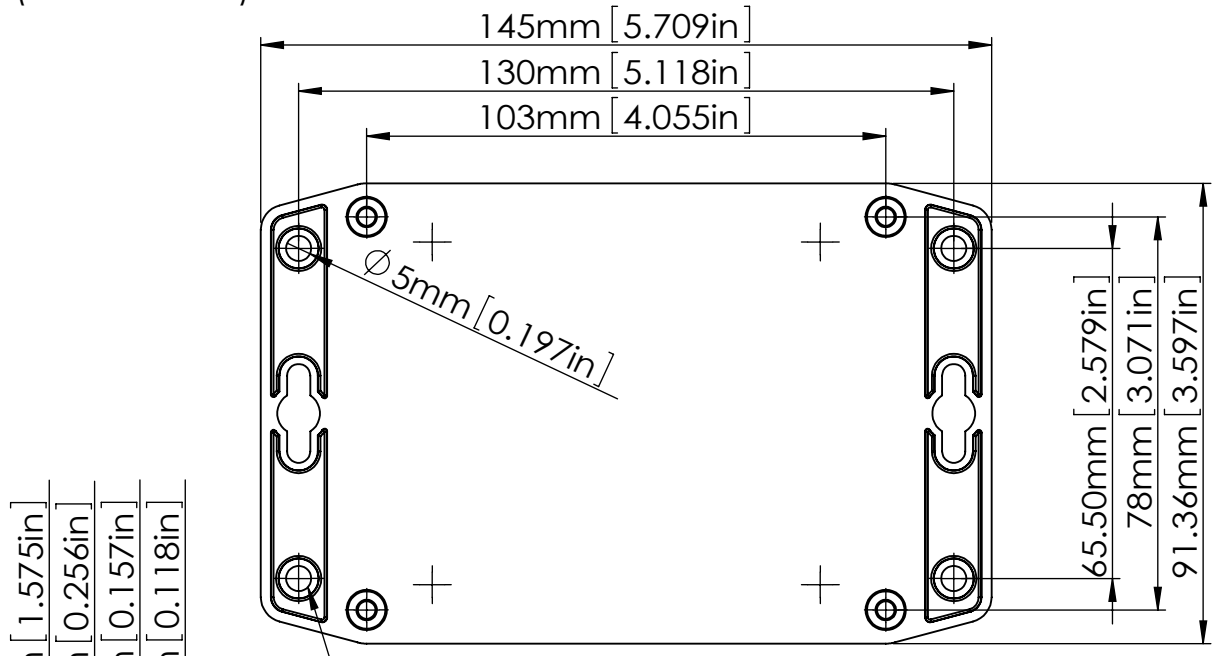


M3X4mm SELF-TAPPING SCREWS (NOT SUPPLIED).

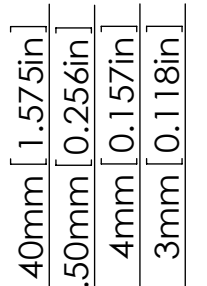
FOUR (4) M4X20mm PAN HEAD SCREWS.



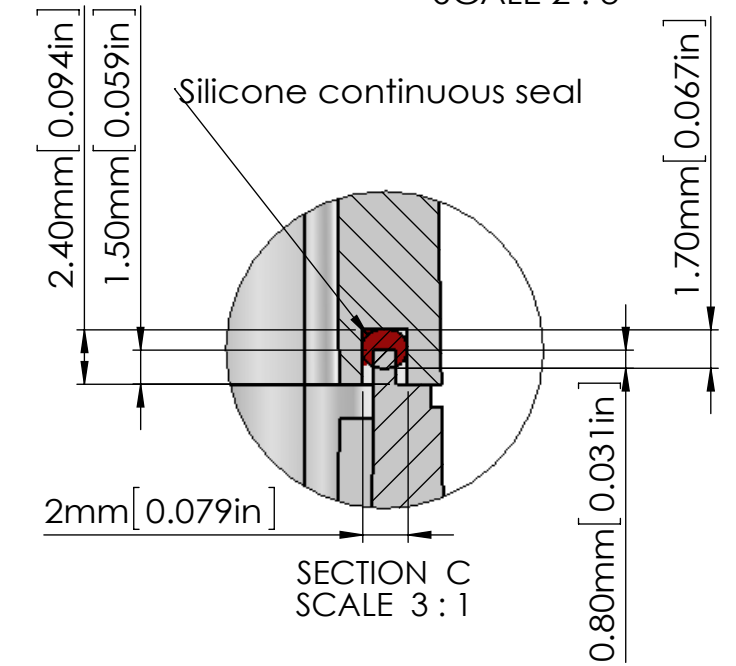
SECTION B-B
SCALE 2 : 3



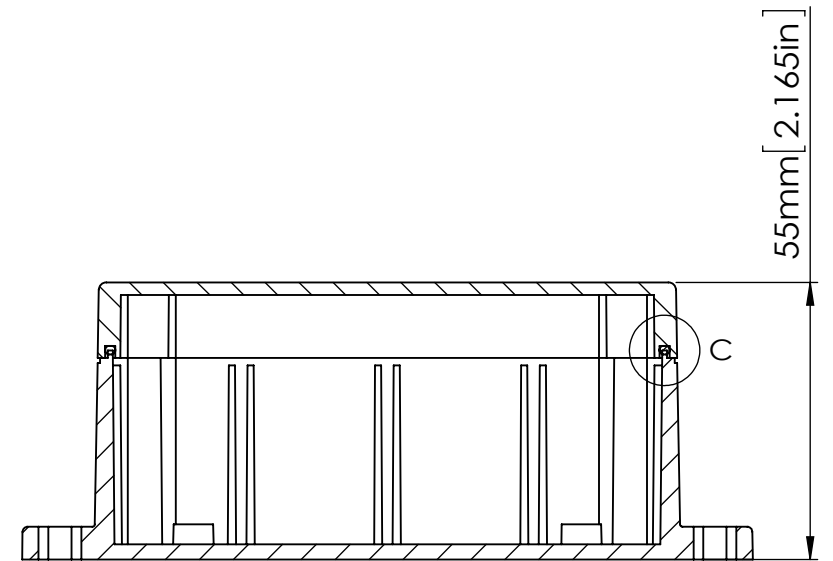
HOLES (4) ARE DESIGNED FOR M4 PAN HEAD SCREWS (NOT SUPPLIED).



SECTION A-A
SCALE 2 : 3



SECTION C
SCALE 3 : 1



ASSEMBLY

According to ISO 2768-m	
Measuring DIM=L	Tolerances
0.5<L<=3.0mm	±0.1mm
3.0<L<=6.0 mm	±0.1mm
6.0<L<=30.0 mm	±0.2mm
30.0<L<=120.0 mm	±0.3mm
120.0<L<=400.0 mm	±0.5mm
400.0<L<=1000.0 mm	±0.8mm

宣又實業有限公司
GAINTA INDUSTRIES LTD.

繪圖 DRA'D BY
JACKY

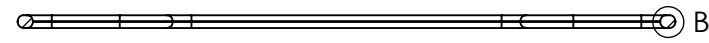
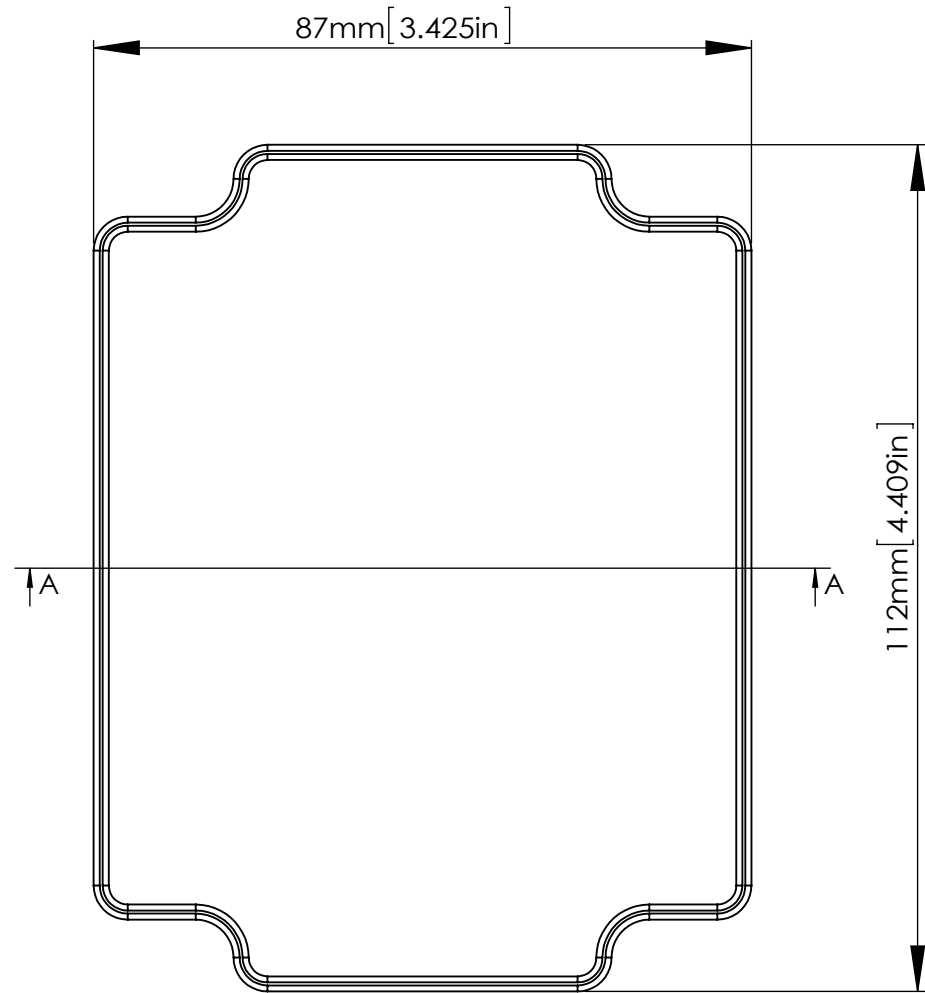
日期 DATE
2020/03/10

材質 MATE.
PC/ABS

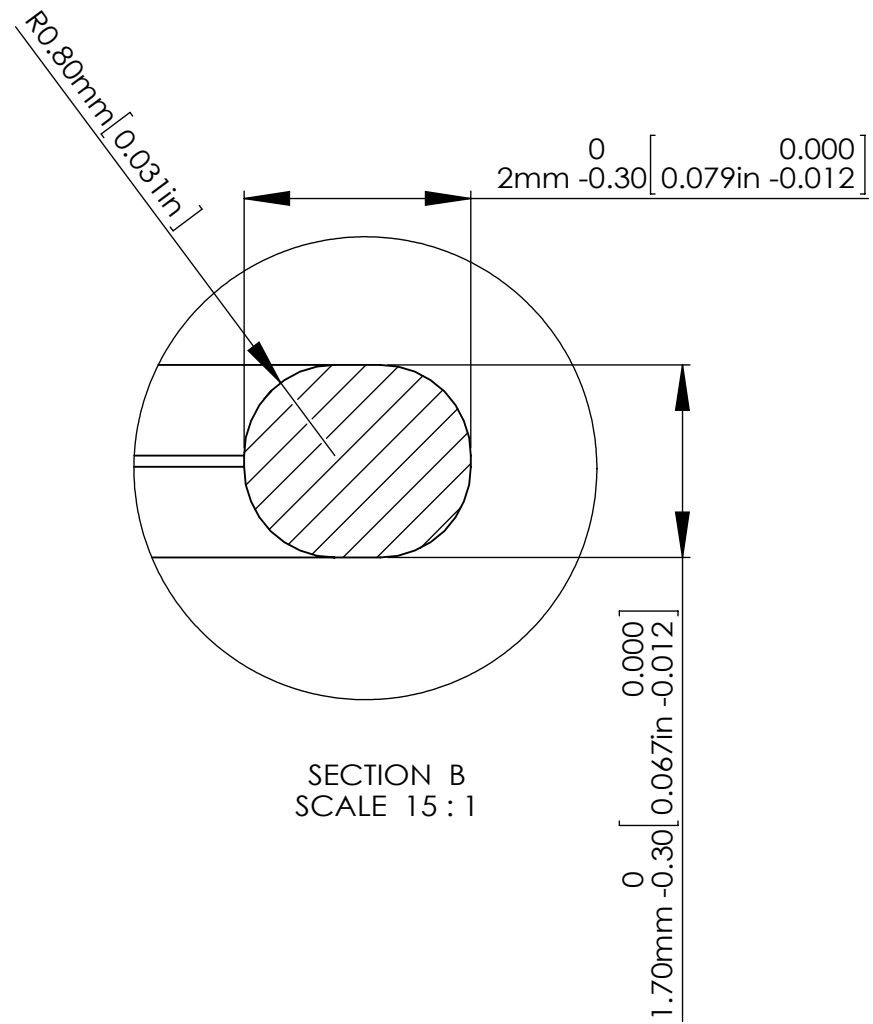
圖名TITLE:
P212MF-IP68/A311MF-IP68

圖號DWG NO:

版次REVISID:
A



SECTION A-A
SCALE 1 : 1



SECTION B
SCALE 15 : 1

According to ISO 2768-m	
Measuring DIM=L	Tolerances
0.5<L<=3.0mm	±0.1mm
3.0<L<=6.0 mm	±0.1mm
6.0<L<=30.0 mm	±0.2mm
30.0<L<=120.0 mm	±0.3mm
120.0<L<=400.0 mm	±0.5mm
400.0<L<=1000.0 mm	±0.8mm

宣又實業有限公司
GAINTA INDUSTRIES LTD.

繪圖 DRA'D BY
JACKY

日期 DATE
2020/02/20

材質 MATE.
SILICONE

圖名TITLE:
P212SEAL/A311SEAL;
P221SEAL/A331SEAL

圖號DWG NO:

版次REVISED:
A